



## Gu10 LED Bulb

**Design from high-quality LED spot lamp solutions.**

**Spotlight strong points:**

**A:Adopting cooling plastic sheu project.It's has Good heat-dissipation and It's definitely safe.**

**B:High quacity 12LED optical lens. It's let spotlight has strong penetrability,high lighting efficiency and even illumination distribution.**

**C:Quick-start,no flash,few glare.It can offer full flux output once the light is on.**

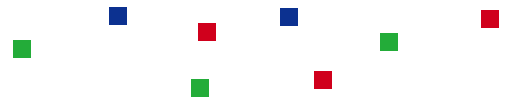


### **Features:**

- Energy-efficient LED spot light
- 50,000hours Super long Life Time
- Base Type : GU10
- 7W=650lm out
- Clour box

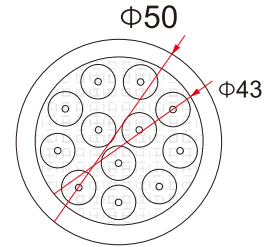
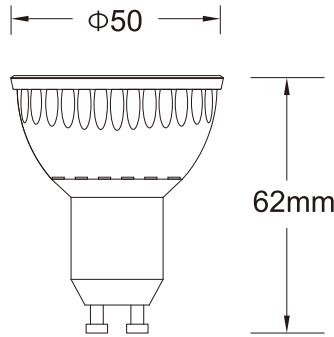
### **Applications:**

- Widely used for meeting room
- Shoping mall
- Showroom
- Supermarket
- Hotel
- Restaurant and so on places



**LED Bulb Series**

**Dimension drawing:**



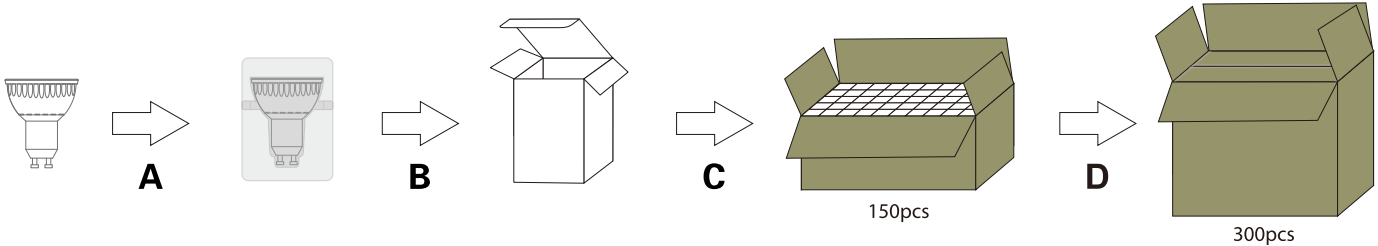
12 PCS 3020 SMD



Part No of LED King	Power	Colour	Base Type	Voltage	LED Type	Lumen	CRI	Beam Angle	Wrok Life
K-H3055-GU10-7W-WW	7W	3000K	Gu10	AC190V-265V	3020 SMD	650Lm	≥83	36°	50000h
K-H3055-GU10-7W-NW	7W	4000K	Gu10	AC190V-265V	3020 SMD	650Lm	≥83	36°	50000h
K-H3055-GU10-7W-W	7W	6000K	Gu10	AC190V-265V	3020 SMD	650Lm	≥83	36°	50000h

**Packing Specification**

Type	Power	Net Weight	Qty	Gross Weight	Dimension
K-H3055-GU10-7W	7W	0.07kg	300pcs	20.90kg	564x289x525mm



A:1pcs LED spot light Inside a plastic bag.

B:After 1 plas tic bag with spotlight Inside a box(white/colour box)The box size is:52x52x75mm.

C:A in cartons Inside 150pcs spotlights.size:550x275x250mm.

D:After 2 in cartons to A carton.The carton size:564x289x525mm.