



# LED Bulb

**330°energy-saving LED ball bulbs.It's perfect to replace the full angle Halogen bulbs.  
High lumen LED chips and High efficiency drived used.The lamps life more  
then 30,000 hours.also,The lamps with high CRI out.Apply base type E27&B22.**

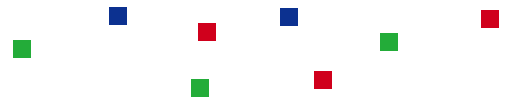


## Features:

- Energy-efficient LED ball bulbs
- AC190-265V
- 330°Angle beam
- CRI>80
- No uv and flickering
- Longer life more the 30,000 hours

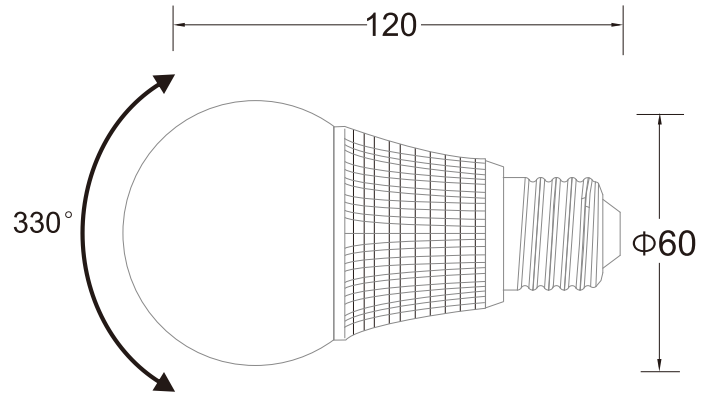
## Applications:

- Shopping malls
- Office buildings
- Hotels
- Exhibition hall
- Replace Halogen lamps
- Bedroom and other places



**LED Bulb Series**

**Dimension drawing:**



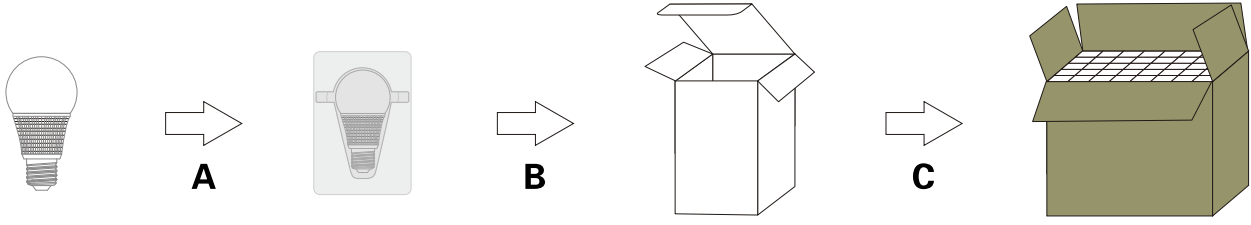
34PCS 5630 SMD



Part No of LED King	Power	Colour	Base Type	Voltage	LED Type	Lumen	CRI	IP Grade	Wrok Life
K-5630-13512-10W-WW	10W	3000K	E27/B22	AC190V-265V	5630 SMD	850Lm	≥80	IP52	30000h
K-5630-13512-10W-NW	10W	4000K	E27/B22	AC190V-265V	5630 SMD	850Lm	≥80	IP52	30000h
K-5630-13512-10W-CW	10W	6000K	E27/B22	AC190V-265V	5630 SMD	850Lm	≥80	IP52	30000h

**Packing Specification**

Type	Power	Net Weight	Qty	Gross Weight	Demension
K-5630-13512-10W	10W	0.15kg	120pcs	18.75kg	540x340x440mm



A:1 pcs LED ball bulb Insied a plastic bag.  
 B:After 1 plas tic bag with bulb inside a box.(white box or colour box)The box size:65x65x137mm.  
 C:A standard carton inside 120pcs ball bulbs carton size:540x340x440mm.